

# Dispermill Orange-line

Laboratory Dissolver

The Orange-line laboratory dissolver is invented for smaller research and development projects. The Orange-line is ideal for test batches from 100 ml up till 3 L, depending on viscosity.

## DESIGNED FOR YOU

The design of this laboratory dissolver offers you more compactness than ever before. By using a counterweight the Dispermill Orange-line provides you with a convenient up and down movement using the ergonomic lever at the front. Innovation is the key element that separates our dissolvers from others. In collaboration with the user, we improved the Orange-line. One of the latest innovations consists an improved motor shaft that will optimize its performance.

## APPLICATION

The Orange-line is developed for dispersing, mixing and solubilizing of solids in liquids. This dissolver can also be used for making samples or for use as a discontinuous pearl mill.

## FEATURES

- ✓ Small and compact design
- ✓ Easy to operate
- ✓ Readout of RPM and Speed
- ✓ Timer 1 min - 10 hrs. with automatic stop
- ✓ Stainless Steel vessels as option available
- ✓ Counterweight for easy lifting and lowering
- ✓ 40 mm dispersing disc included

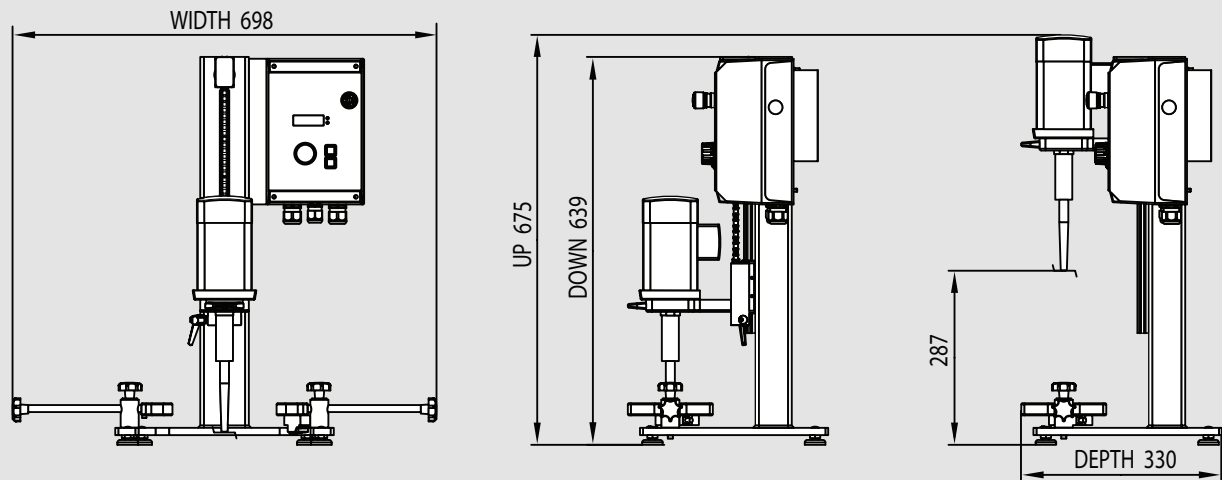


**Dispermill Orange-line**

**Order code**

0,30 kW, 0 - 10.000 RPM, 100 ml - 3 L

10-1004



## TECHNICAL SPECIFICATIONS

<b>Power</b>	0,30 kW / 0.5 HP
<b>Supply</b>	230 V +/- 10% 50/60 Hz
<b>Speed</b>	0 till 10.000 RPM
<b>Torque</b>	0,5 Nm
<b>Thermal protection</b>	PTC Temperature sensors
<b>Electrical connection</b>	1.5 m power cord with plug
<b>Volume range vessel</b>	100 ml - 3 L
<b>Diameter vessel</b>	70 - 170 mm (min. - max.)
<b>Height vessel</b>	70 - 180 mm (min. - max.)
<b>Dispersing disc</b>	40 mm (interchangeable)
<b>Dimensions (in mm)</b>	330 x 698 x 639/675 (D x W x H)
<b>Weight</b>	25 KG
<b>Vertical motion</b>	Counterweight for easy lifting and lowering
<b>Countdown Timer</b>	Adjustable from 1 min till 10 hours
<b>Safety CE</b>	Conformity Directive 2006/42/EC

## OPTIONS

